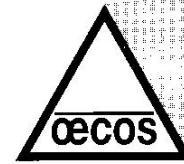


Product Information



General Information for Oecos Flip Delta Traps

Storing and handling the attractant lures.

1. On receipt, the sachet holding the lures should be kept preferably in a refrigerator or freezer until they are placed in traps in the tree.
2. Handle lures carefully, using clean hands.
3. Clean your hands between handling lures for different insect species.
4. Do not expose lures for different species near to one another either indoors or outdoors.

These instructions are necessary in order to avoid cross-contamination between lures for different insect species. Insects are highly sensitive to these chemicals and even the amount transferred by touch could attract the wrong species or reduce catches.

Precautions

1. Wash hands before and after working with the system.
2. Wash hands before handling monitoring systems for other species of moths. Minute traces of the attractant for one species can render the other ineffective if there is cross contamination.

Siting of Traps

Hang trap within the canopy of the tree.

Disposal of Traps

All traps lures and sticky inserts should be disposed of either by burning or with the domestic refuse, and never re-used.

Health & Safety

The adhesive is VERY sticky but can be removed from hands using a quality hand cleaner or from other surfaces using white spirit or paraffin. While this product uses no harmful materials the lure is small enough to be swallowed.

Notice

Oecos makes no warranty, express or implied, for any particular purpose concerning this product, other than those contained in this information.

Oecos Pheromone Monitoring System

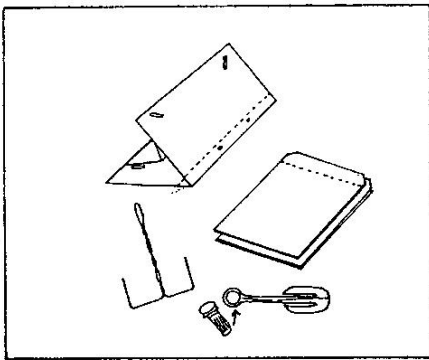


Fig 1

Each Oecos monitoring system has sufficient components to last an entire season.

Contents:

- 1 Trap
- 2 Sticky Inserts (supplied in pairs – sticky sides together)
- 3 Hanger
- 4 Basket holder & basket (for holding lure)

PHEROMONE LURES SUPPLIED SEPARATELY

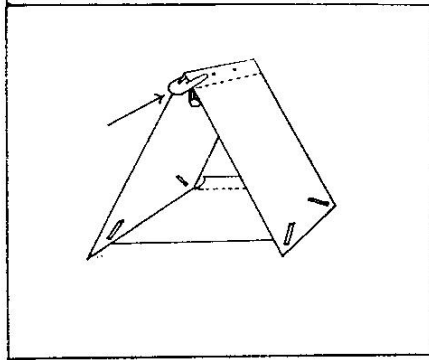


Fig 2

- 1 Flip open the trap to triangular position.
- 2 Locate the pheromone lure in position by placing it in the basket & then putting the basket into the holder. The holder is then attached to the apex of the triangle so that the lure hangs centrally inside the trap.

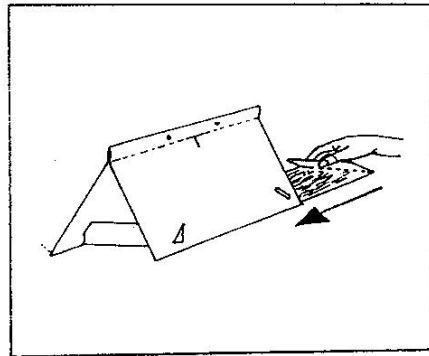


Fig 3

- 1 Fold the flap (marked A) upwards and pass the Tabs at its edges through the slots in the trap sides to create an inward sloping edge.
- 2 Slide the sticky insert into the opposite end of the trap (holding the flap B) and fold its flap inwards to create another inward sloping edge.

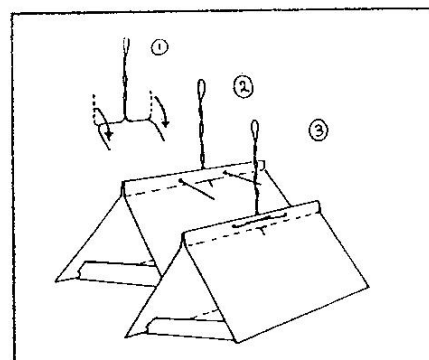


Fig 4

- 1 Insert wire hanger through holes positioned at the top of the trap.
- 2 Bend excess wire together bringing together the sides of the trap.

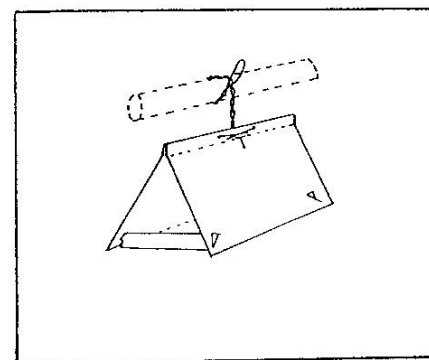


Fig 5

- 1 The trap is now ready for use. It can be positioned by twisting the wire hanger around a branch or location as required.
- 2 Change sticky insert as required.

NOTE: *Change pheromone lure after 6 weeks*